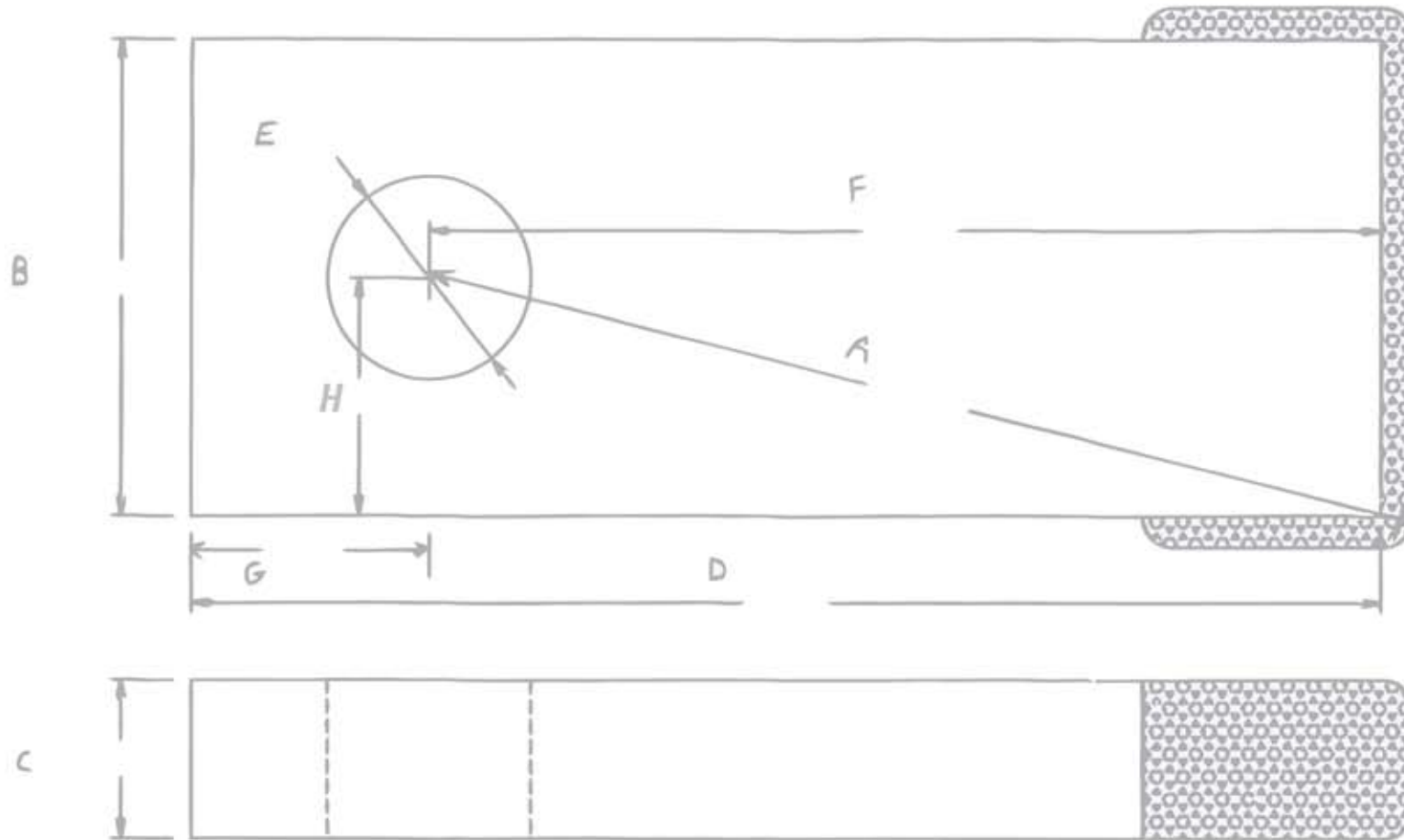


# Swing Hammer Diagram



## Measurements

- A.
- B.
- C.
- D.
- E.
- F.
- G.
- H.

**Grinder Trader**

[www.GrinderTrader.com](http://www.GrinderTrader.com)

**1-330-323-1146**

Swing Hammer Measurements

For a free quote go to [www.GrinderTrader.com/quote\\_form](http://www.GrinderTrader.com/quote_form)