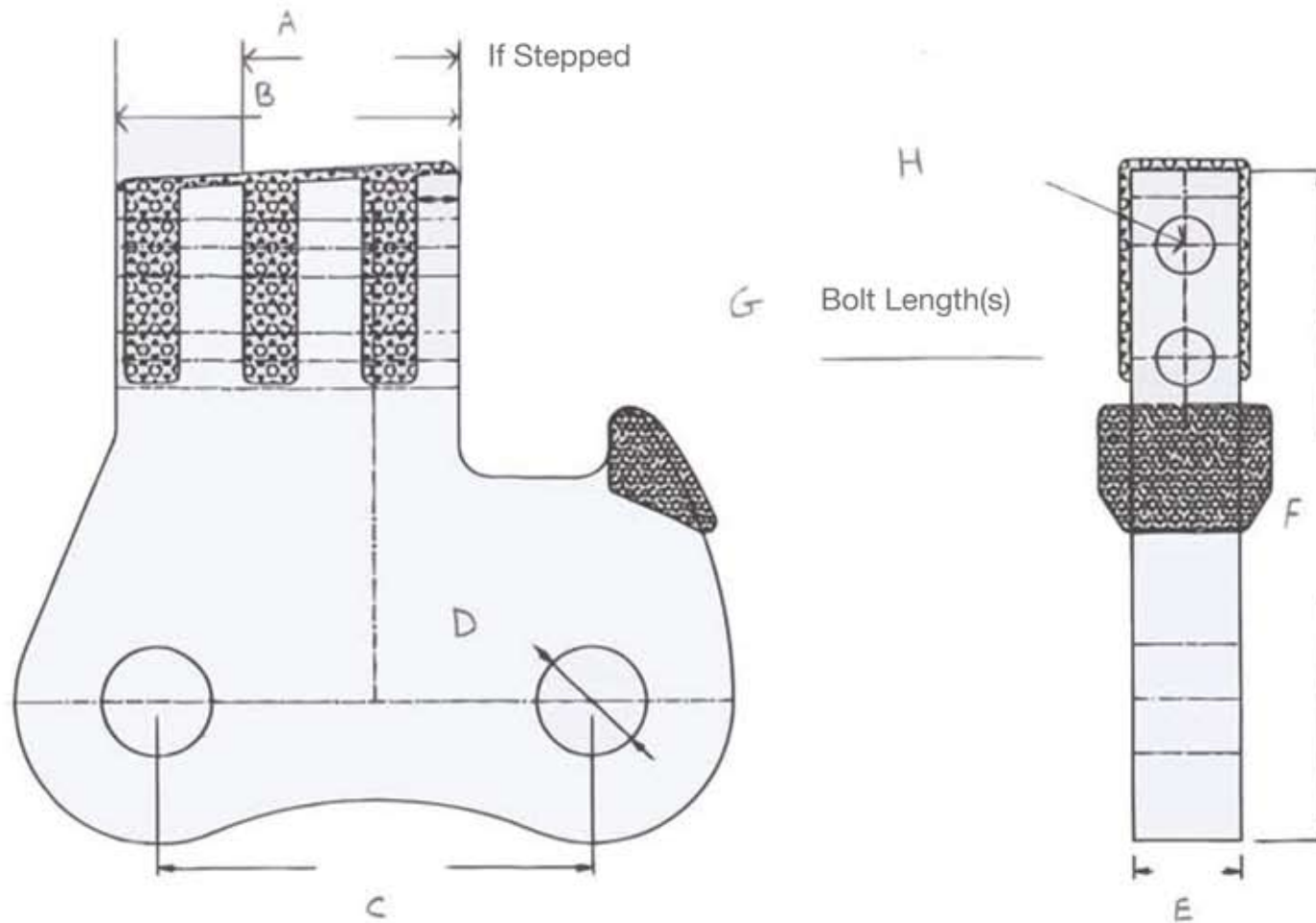


Fixed Hammer Diagram



Measurements

- A.
- B.
- C.
- D.
- E.
- F.
- G.
- H.

Grinder Trader

www.GrinderTrader.com

1-330-323-1146

Fixed Hammer Measurements

For a free quote go to www.GrinderTrader.com/quote_form